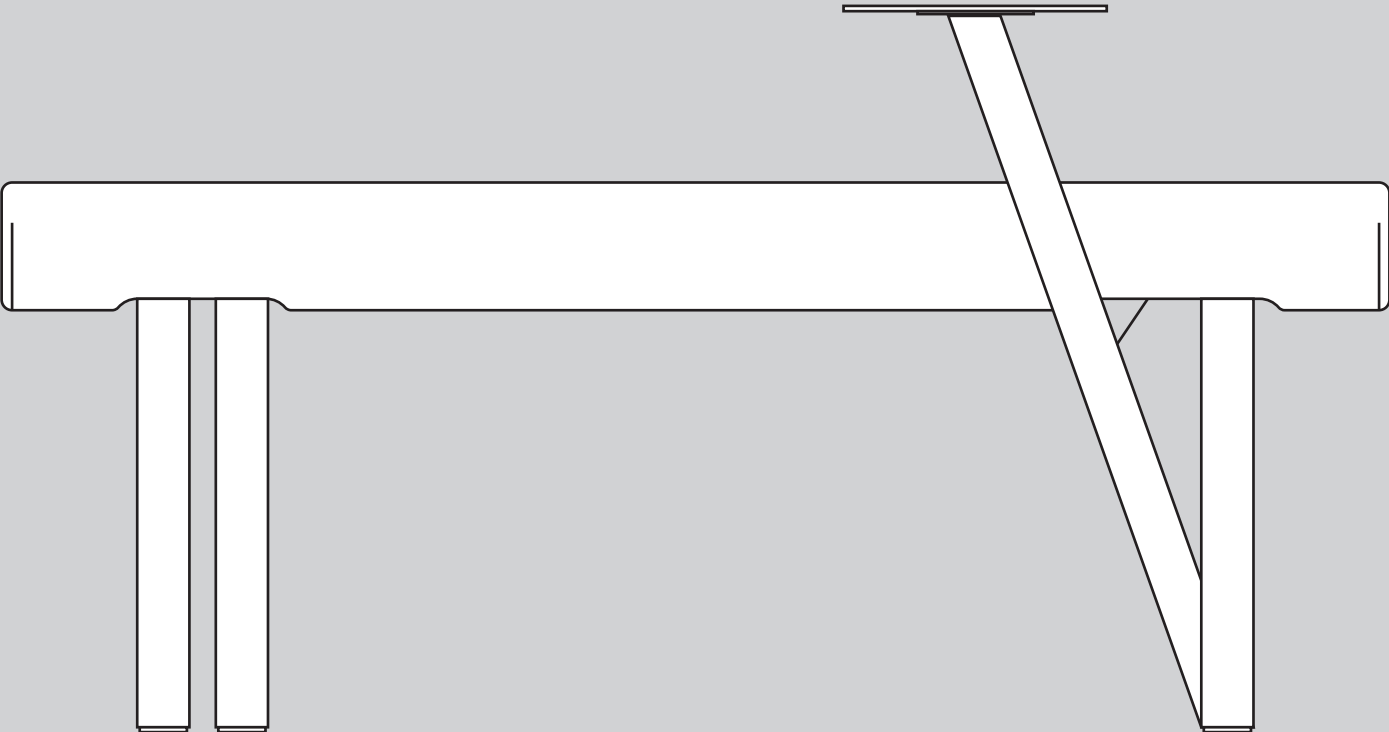


LUMBER

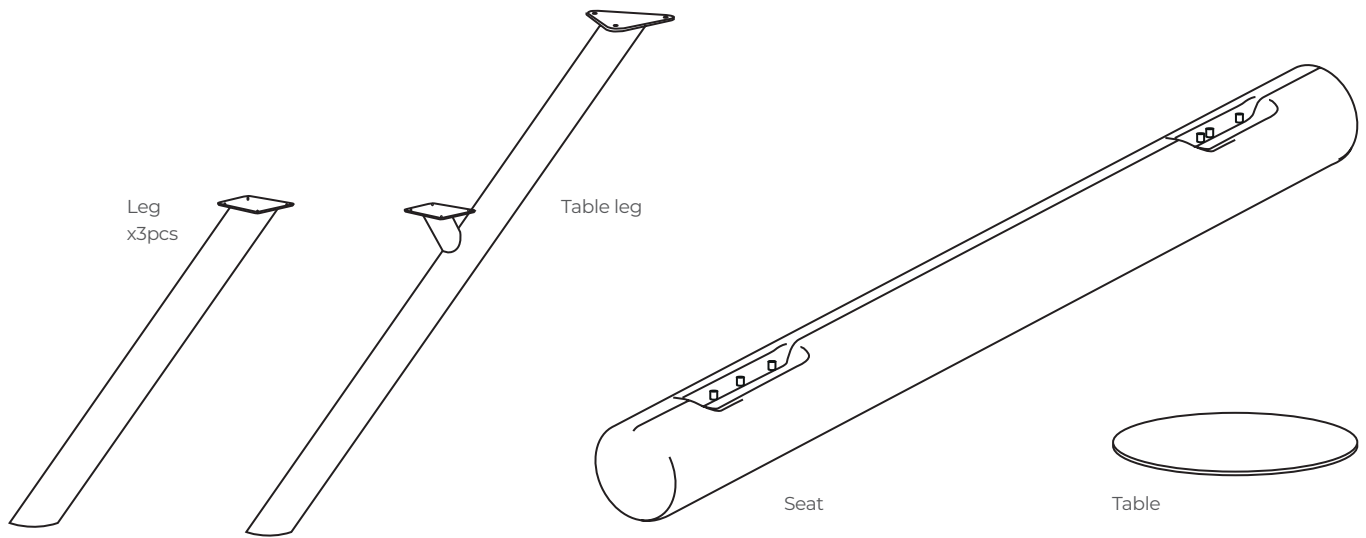
SEATING

ASSEMBLY INSTRUCTION



PARTS

Lumber includes.



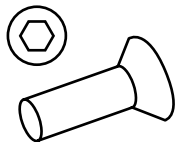
OPTIONAL



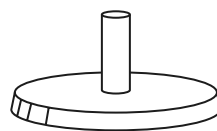
Nut M8
x16pcs



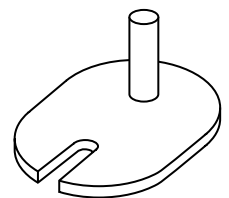
Washers
x16pcs



Hex bolt
x3pcs



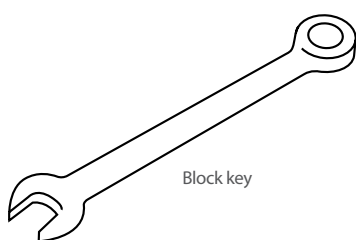
Adjustable feet
x4pcs



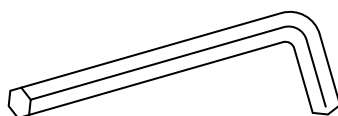
Floor fixture

TOOLS

To assemble Lumber you need the following tools.



Block key



Hex key

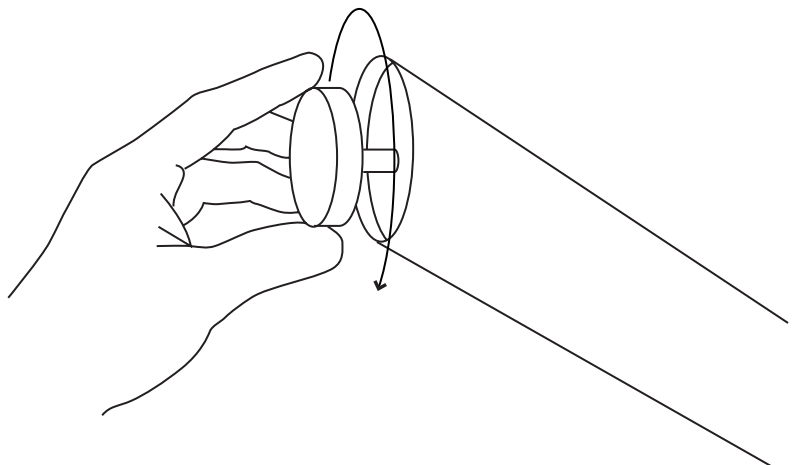
ASSEMBLE LUMBER

The construction is easy to assemble with few parts.

1. PREPARE THE LEGS

Start by screw on the feet on the legs, OR the floor fixtures if Lumber should be fixed to the floor.

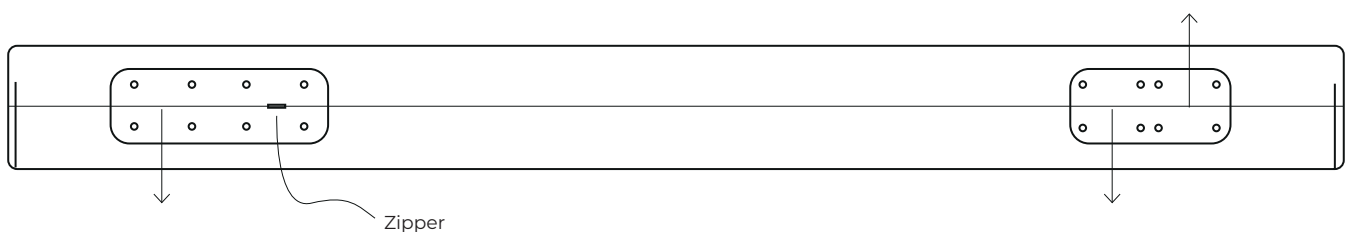
⚠ For advice on suitable screws and plugs, contact your specialized dealer.



2. LEG DIRECTION

To make sure the legs are mounted in the right direction, make sure the legs are facing in the direction as the arrows bellow.

Note that one side of the seat has wider between the bolts. You will also find the zipper located on the same side. **This side is where the table leg should be placed** (after the other legs has been mounted) .

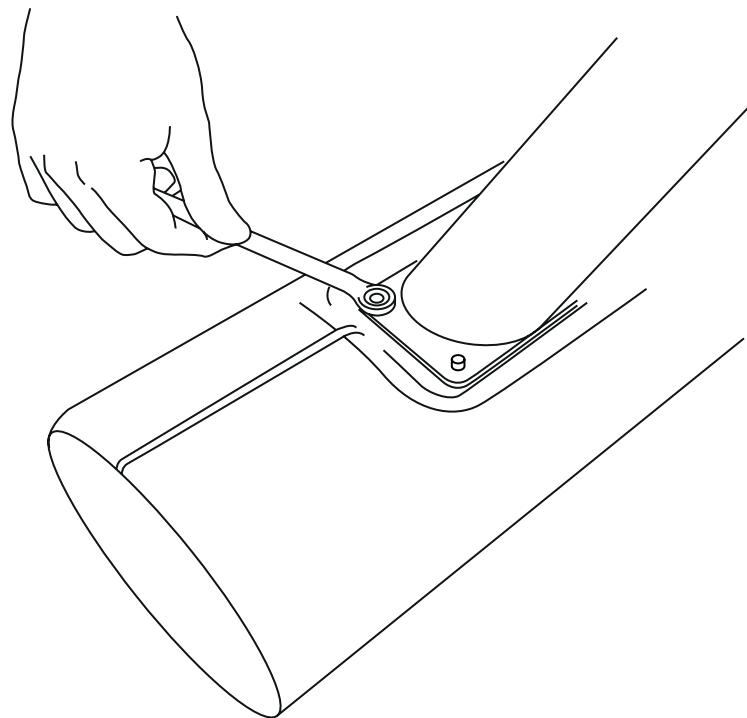
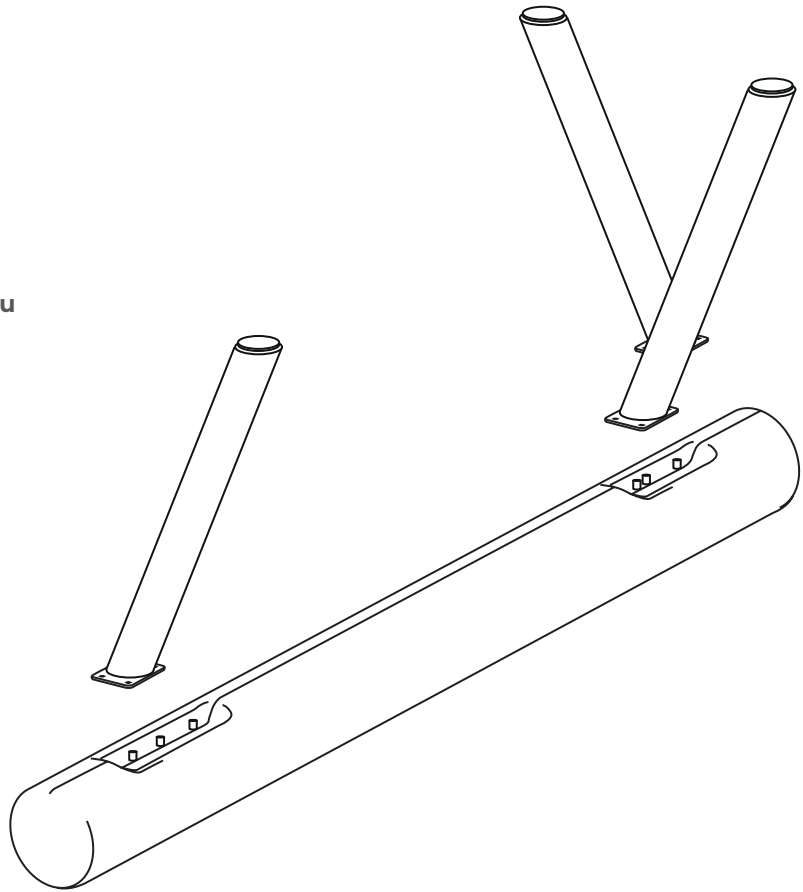
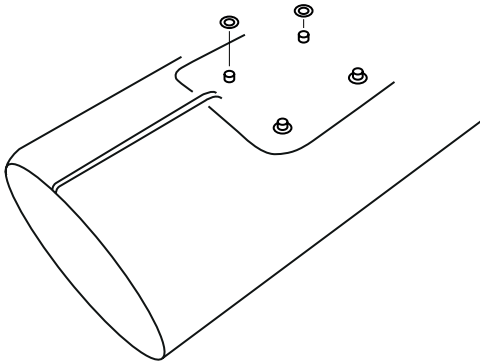


3. MOUNT THE LEGS

Lay the seat on a clean flat surface upside down. Then mount the legs one at the time. If possible take help to make sure the seat stays still.

Don't forget to **put on the washers before you mount the legs.**

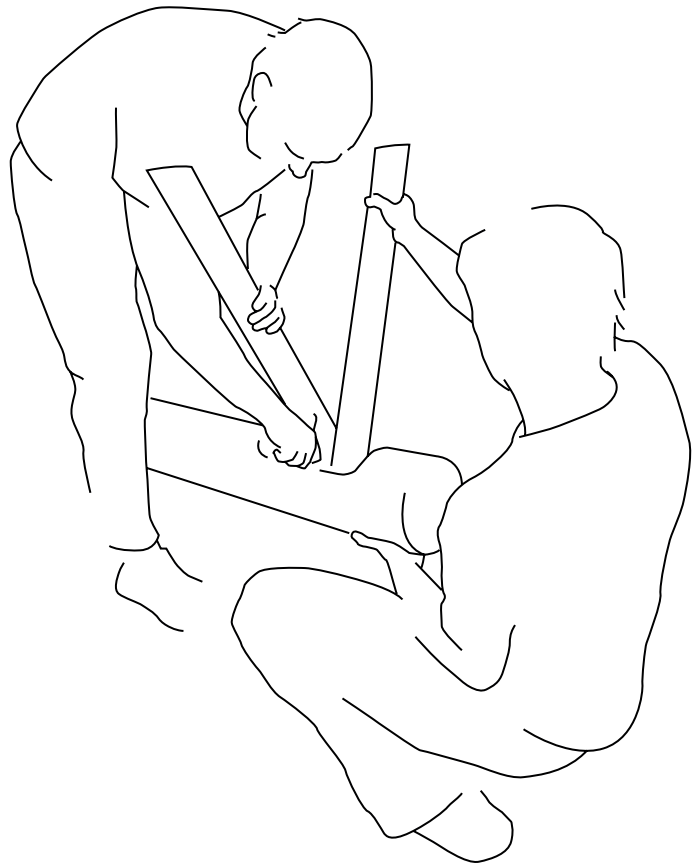
Use the block key.



4. MOUNT THE TABLE LEG

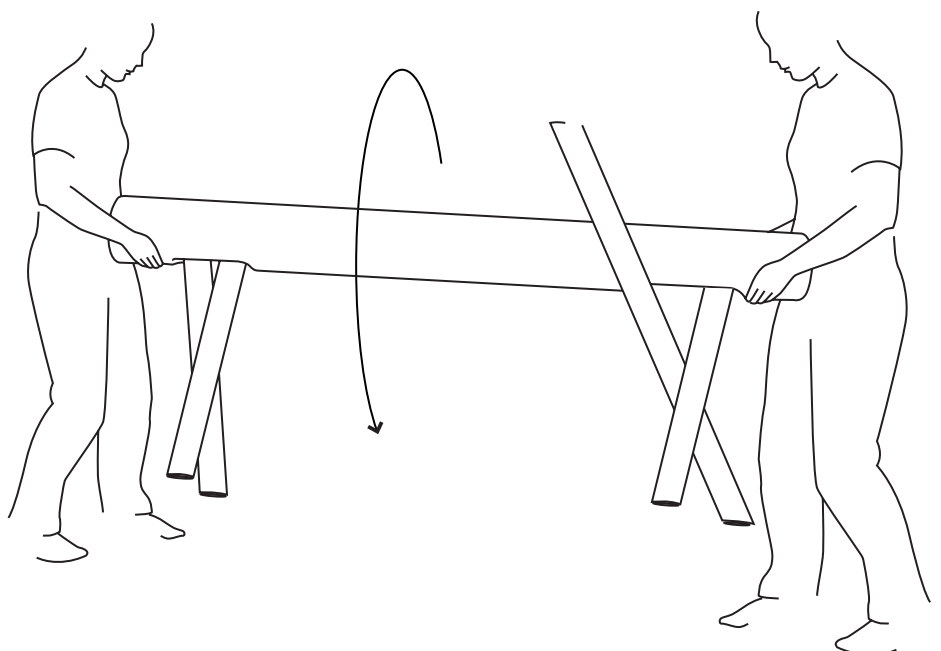
When all three legs are mounted you should mount the table leg. Take help and carefully lift up the end of the seat closest to the table leg. Make sure that the top, where the table should be mounted, are facing towards the middle of the seat.

Use the block key.



4. FLIPPING THE MODULE


When all legs are fastened take help and grab one end each of the seat and flip it over.

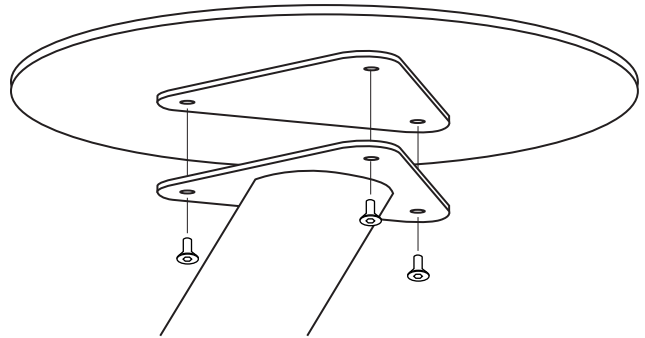


5. MOUNT THE TABLE

When it's standing up mount the table on the table leg.

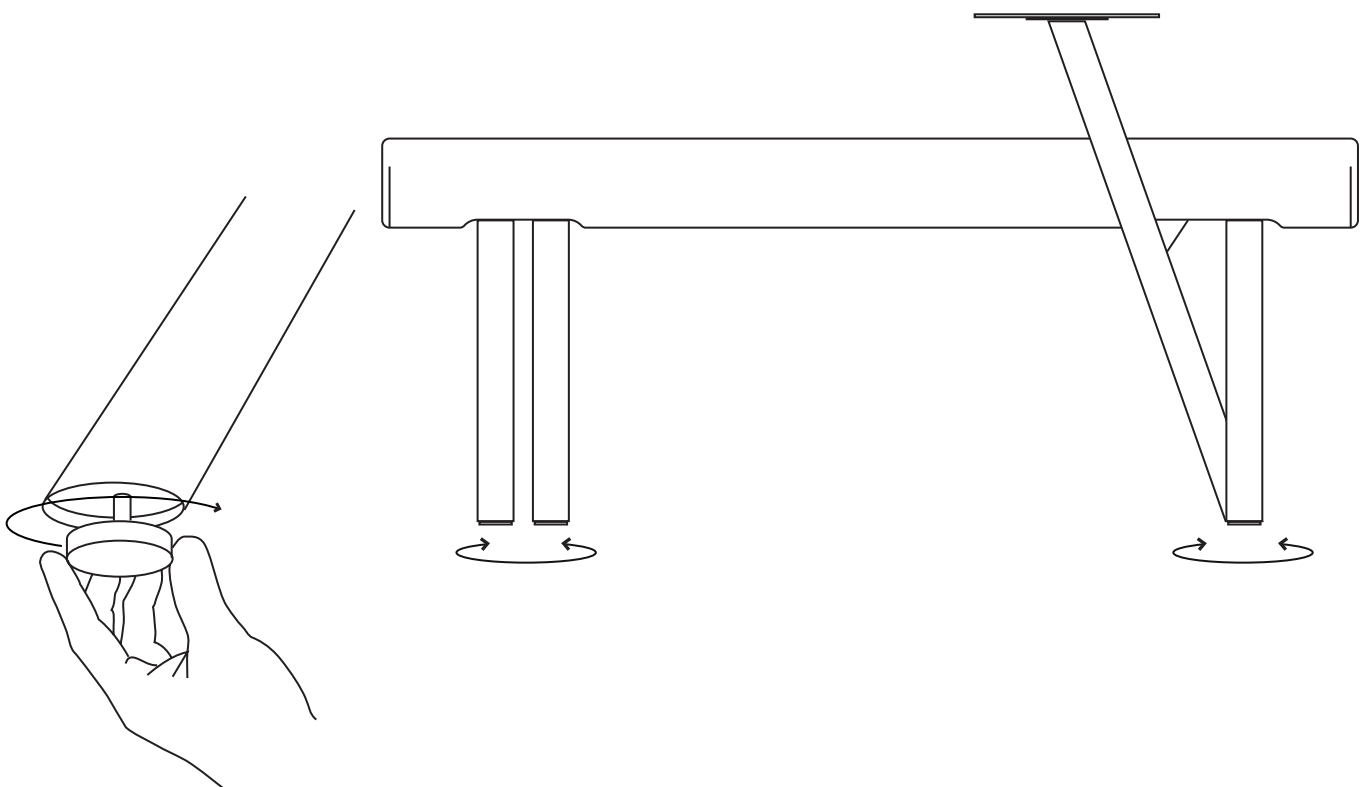
Use the hex key.

 Note that the table is not suitable for sitting. Recommended max weight is 10kg.



6. ADJUST THE FEET


Adjust the feet to make sure Lumber stands firmly on the floor with all feet touching the floor.



7. FIX TO THE FLOOR

Now is the time to fix Lumber to the floor (if needed).

Make sure that the floor fixture is facing in under the seat.

 For advice on suitable screws and plugs, contact your specialized dealer.

