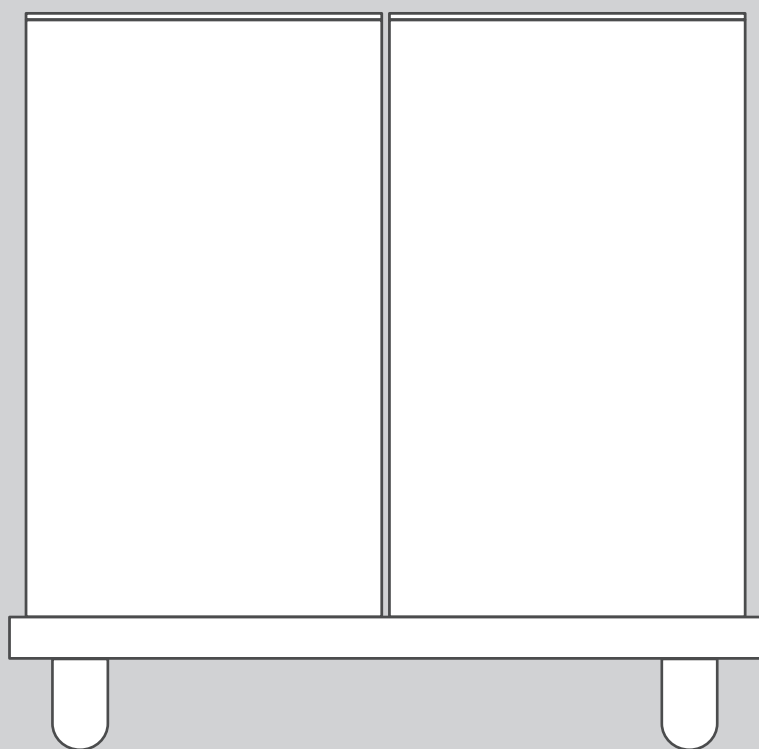


ARKAD

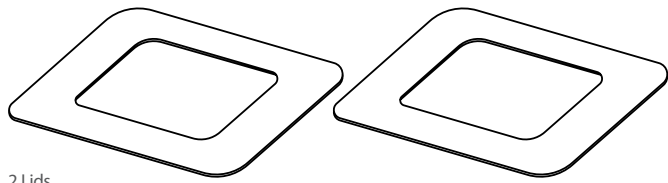
SET

ASSEMBLY INSTRUCTION

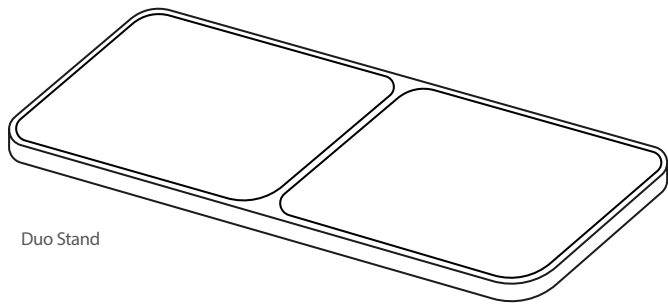


PARTS

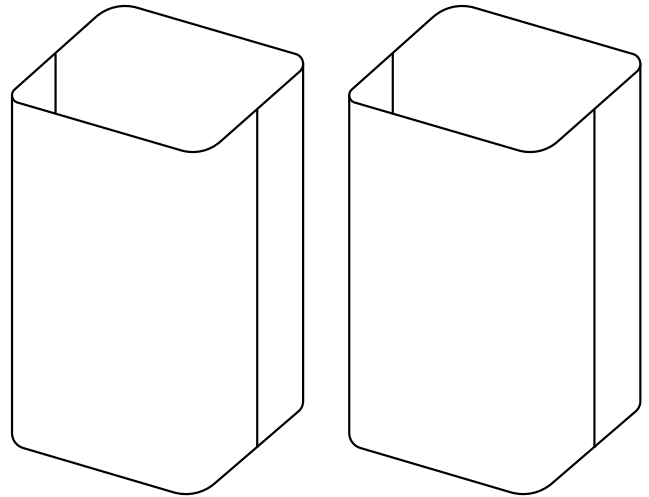
Arkadn Duo set include 2 bins, 2 lids, 1 stand and 4 legs.
Alternative 3 bins, 3 lids, 1 stand and 5 legs if you have Arkad Trio.
You can add wooden lids and drip trays.



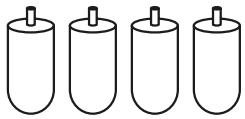
2 Lids



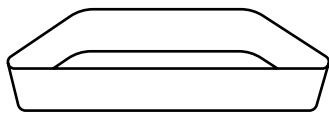
Duo Stand



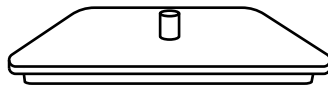
2 Bins



4 Legs



Arkad Drip Tray



Arkad Lid

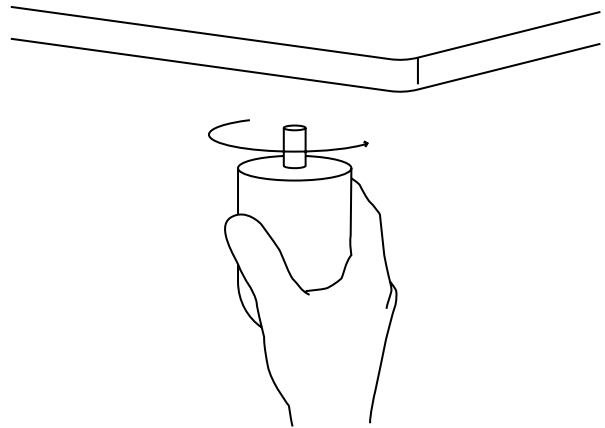
ASSEMBLE ARKAD

The construction is easy to assemble with few parts.

1. MOUNT THE LEGS

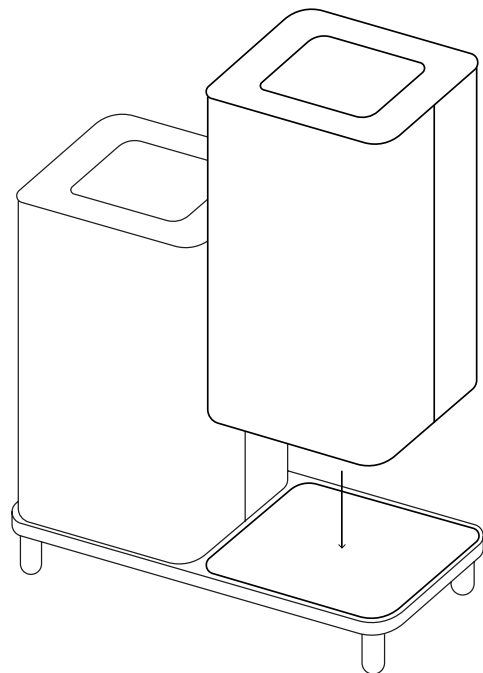
To fasten the legs tilt the stand.

Screw in the legs in the holes, no tools are needed.



2. PLACE THE BINS

Place the bins in the given spaces. Make sure that they are standing in the milled grooves.



3. INSERT THE TRASH BAG

A. Use the interior clamps to fasten the bag.

B. Secure everything with the lid.

