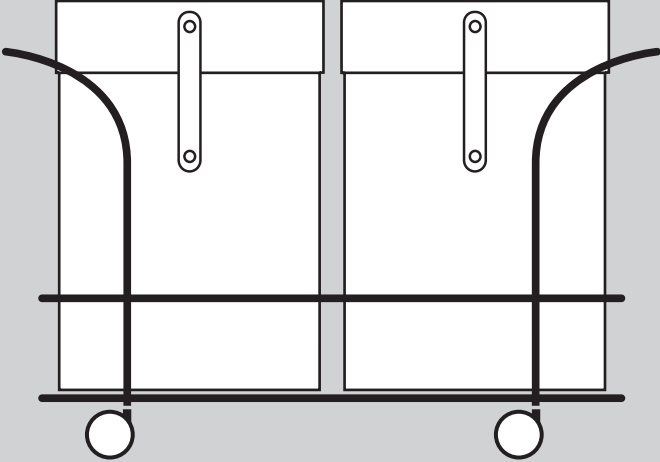


BIN THERE S

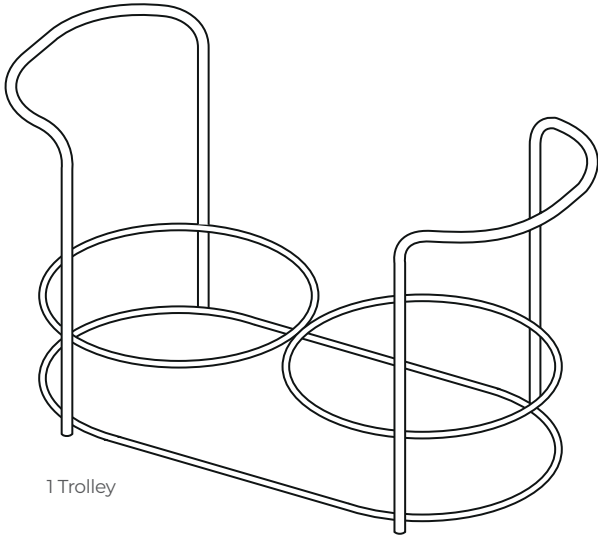
SET

ASSEMBLY INSTRUCTION

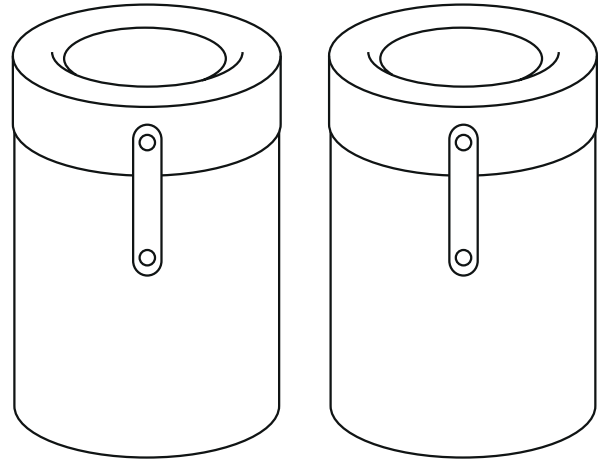


PARTS

Bin There S Set include 2 bins, 1 trolley and 4 wheels.
Additional wooden lid and drip tray.



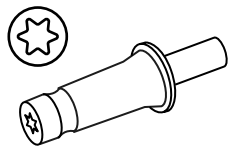
1 Trolley



2 Bins



4 Wheels



Wheel bolt
x 4pcs



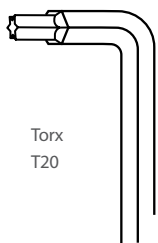
Bin There Lid



Bin There Drip Tray

TOOLS

To assemble the wheels to the trolley you need a torx T20.



Torx
T20

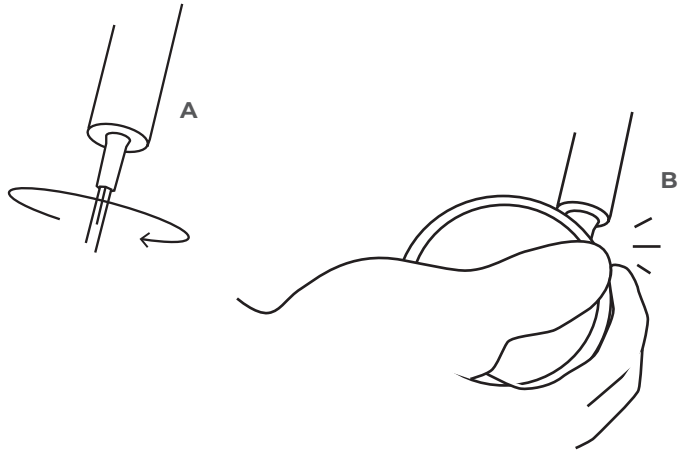
ASSEMBLE BIN THERE S

The construction is easy to assemble with few parts.

1. MOUNT THE WHEELS

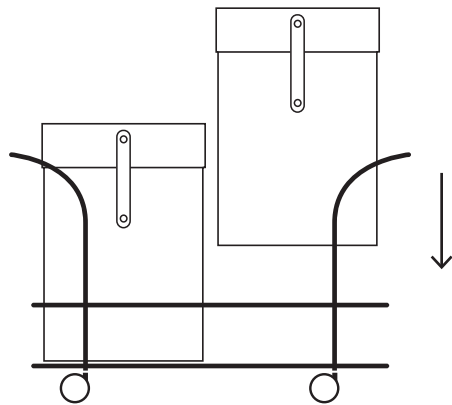
To fasten the wheels **remove the bins** and tilt the trolley.

- A.** Screw in the wheel axis. Use wheel bolt.
- B.** Press the wheels until they snap into place.



2. PLACE THE BINS

Place the bins in the trolley.



3. INSERT THE TRASH BAG

- A.** Open the leather strap and remove the top part of the bin.
- B.** Use the holes in the top of the bin to secure the bag in the bin.
- C.** Lock the top of the bin with the two leather straps.

