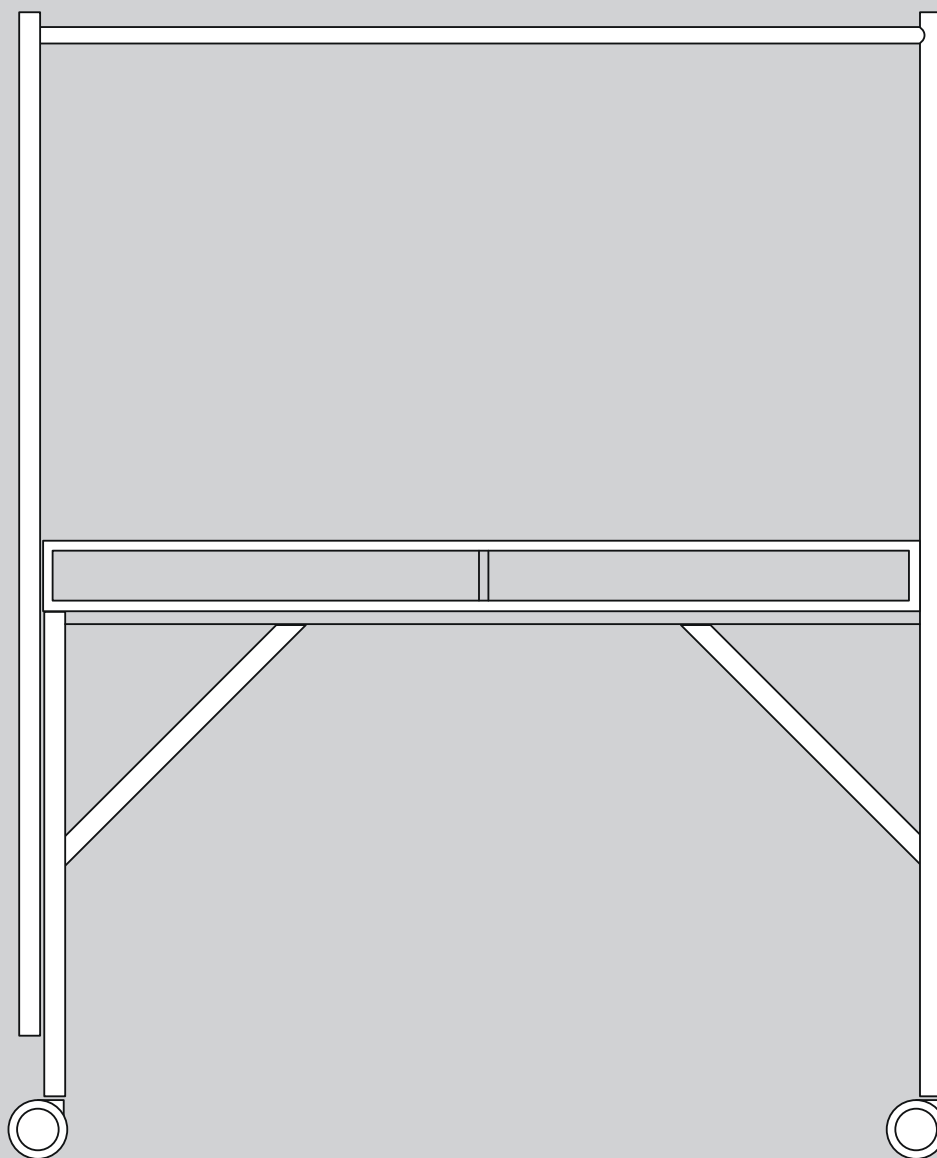


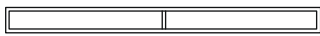
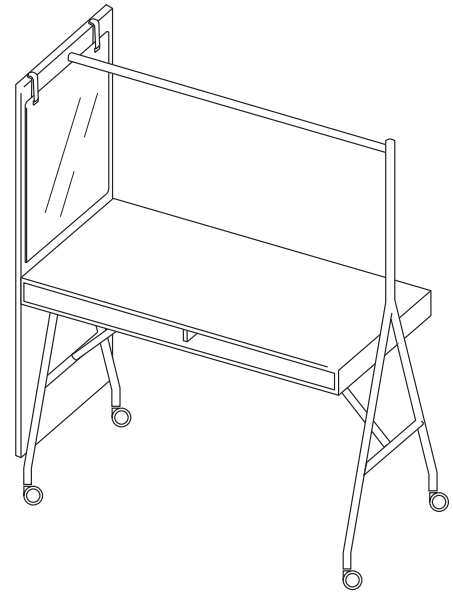
HANGOUT TABLE

ASSEMBLY INSTRUCTION

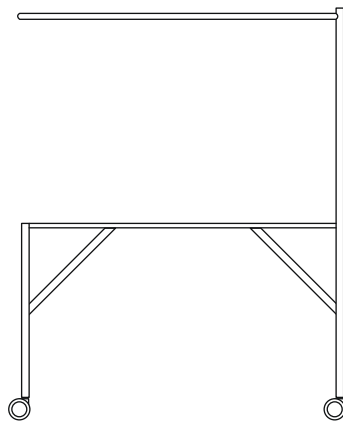


PARTS

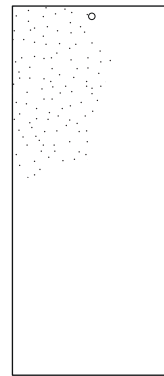
Hangout is built with a few modules. The table, frame, sound absorbent or gable. You can also add an writing board.



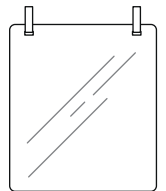
Hangout table



Frame



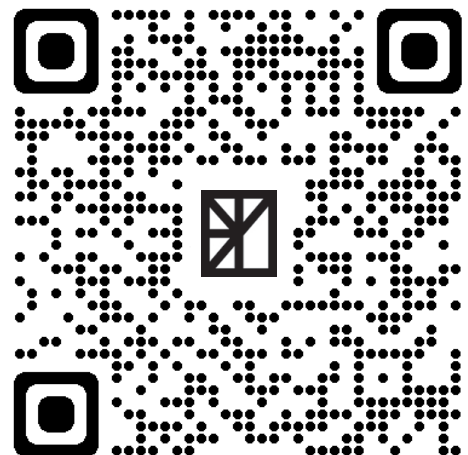
Sound absorbent or
gable in wood



Writing board

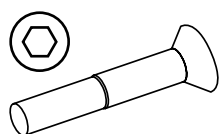
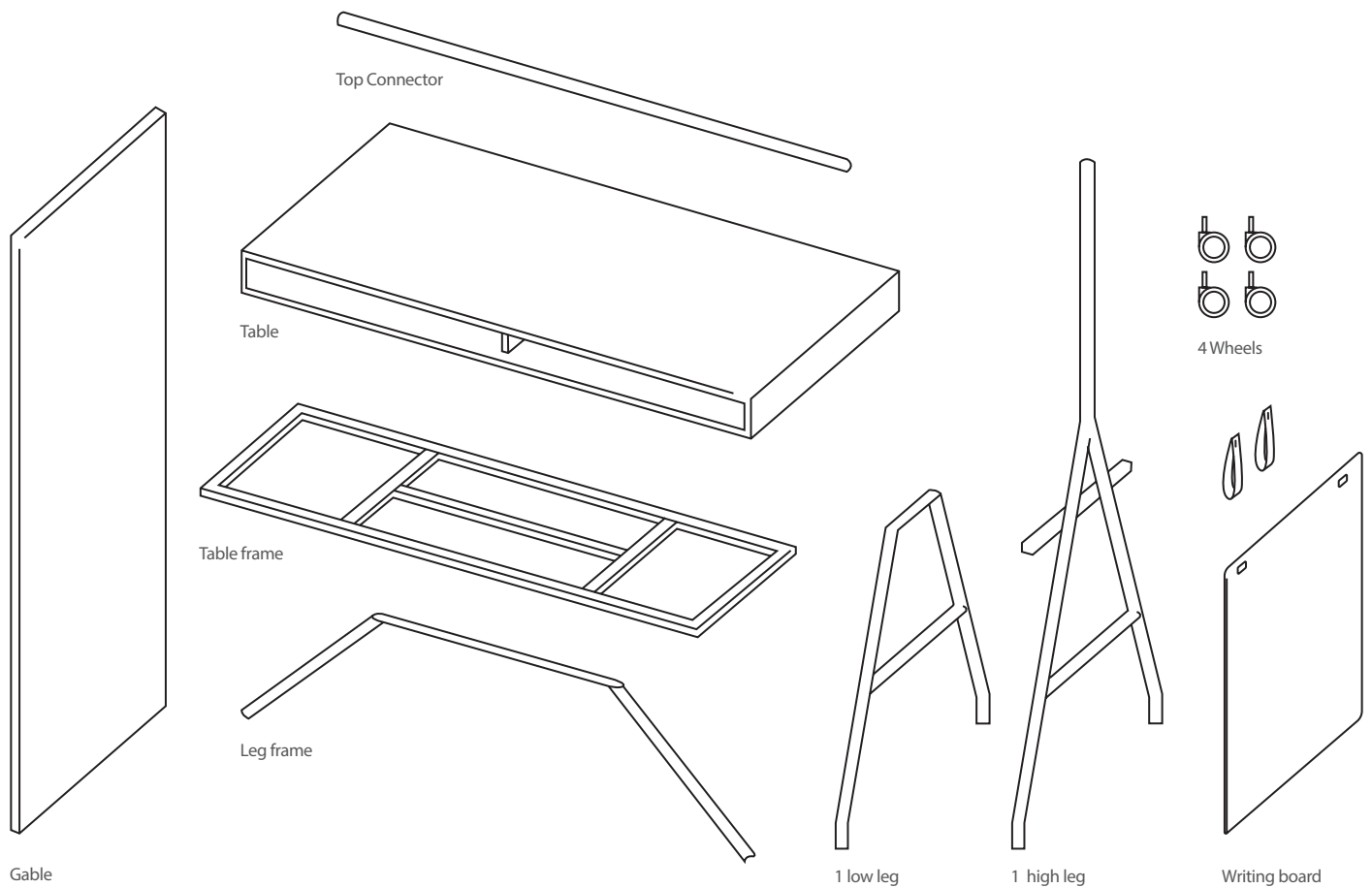
VIEW ASSEMBLY

Scan the QR-code to watch our instruction video.

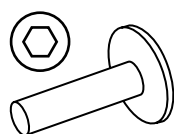


ASSEMBLE THE TABLE

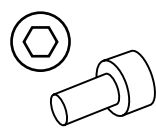
The construction is easy to assemble.



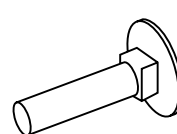
Allen bolt MF6S A4
50mm x2pcs



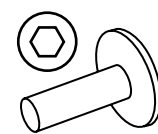
Allen bolt MC6S FZB
35mm x3pcs



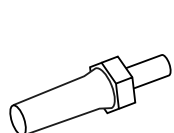
Allen bolt MC6S FZB
20mm x9pcs



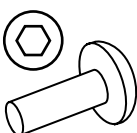
Bolt MVBF
40mm x1pcs



Allen bolt PF6S
30mm x8pcs



Wheel bolt
x4pcs

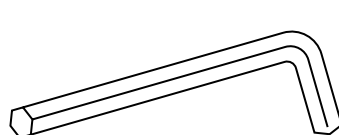


Allen bolt MK6S FZB
20mm x2pcs

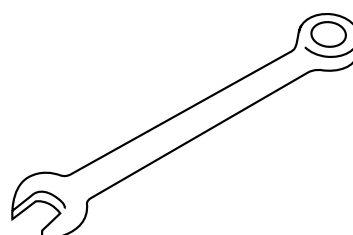
TOOLS



Bit
6mm



Bit
4mm

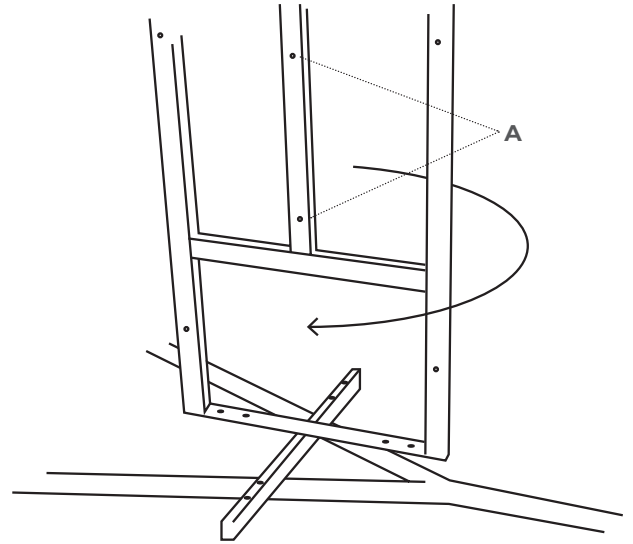


Block key
M12

1. MOUNT THE FRAME

Start by placing the high leg on the floor.
Then place the table frame on top.
Secure together with 4 allen bolt MC6S FZB 20mm.

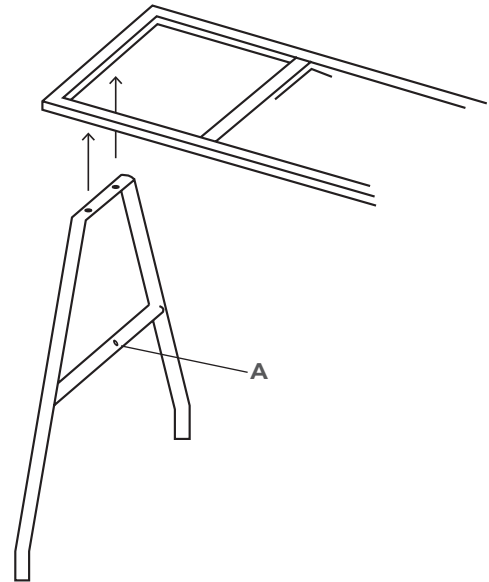
A. Make sure that the holes for the leg frame are facing downwards, towards the wheels.



2. MOUNT THE LOW LEG

With the frame secured in the high leg raise them up and connect the low leg.
Secure together with 2 allen bolt MC6S FZB 20mm.

A. Make sure that the hole **facing up** for the leg frame are placed inward.

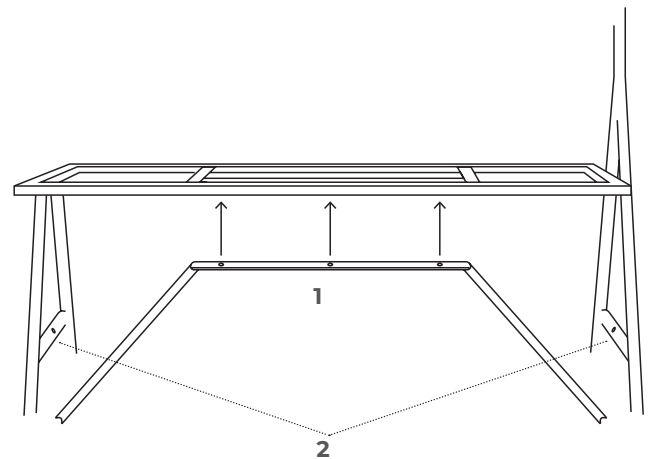


3. MOUNT THE LEG FRAME

With both legs fastened in the table frame mount the leg frame.

1. Start with the three screws in the table frame. Do not secure tight, wait until the whole table is assembled.
Secure together with 3 allen bolt MC6S FZB 20mm.

2. Then fasten the leg frame in both legs.
Secure together with 2 allen bolt MC6S FZB 35mm.

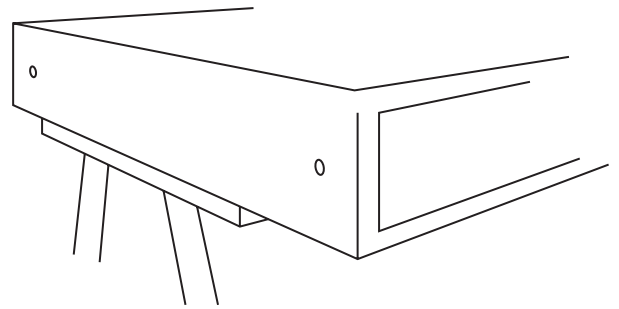


4. MOUNT THE TABLE

When mounting the table be aware to place the table with the two holes for the gable on the same side as the short leg.

Use 6 allen bolt PF6S 30mm x6pcs

Do not secure tight, wait until the whole table is assembled.

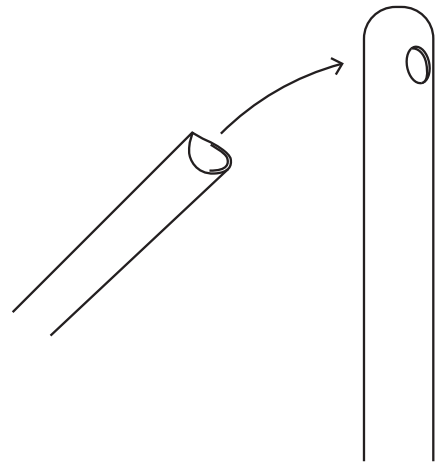


5. MOUNT THE TOP CONNECTOR

Make sure that the concave side of the top connector meets the high leg.

Note that the other side will be hanging until gable is mounted.

Use 1 allen bolt MC6S FZB 35mm.



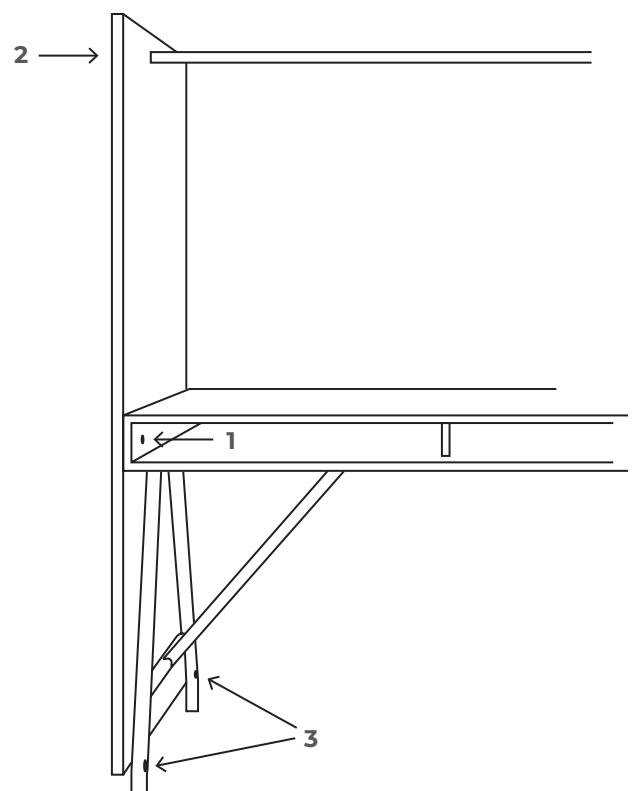
6. MOUNT THE GABLE

When mounting the table be aware to place the table with the two holes for the gable on the same side as the short leg.

1. Use 2 allen bolts PF6S 30mm x2pcs

2. Use 1 bolt MVBF.

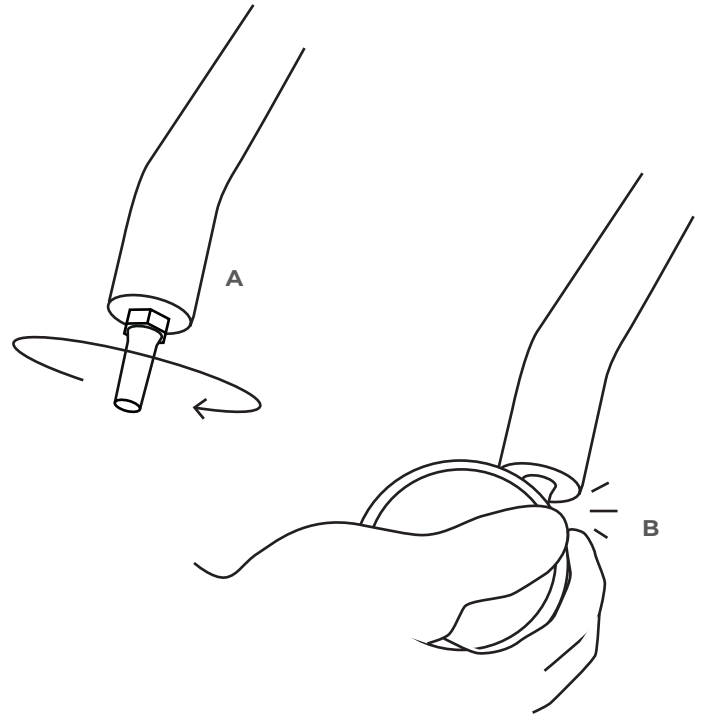
3. Use 2 allen bolt MF6S A4 50mm.



7. MOUNT THE WHEELS

To fasten the wheels take help to tilt the table.

- A.** Screw in the wheel axix. Use the wheel bolts.
- B.** Press the wheels until they snap into place.



MOUNT THE WRITING BOARD

If there is a writing board included you start by threading the leather straps through the holes of the writing board. Then secure them with screws in the pre-drilled holes in the top of the gable.

Note that the writing board can be mounted to hang on the in- or outside of the gable.

Use 2 allen bolt MK6S FZB 20mm.

