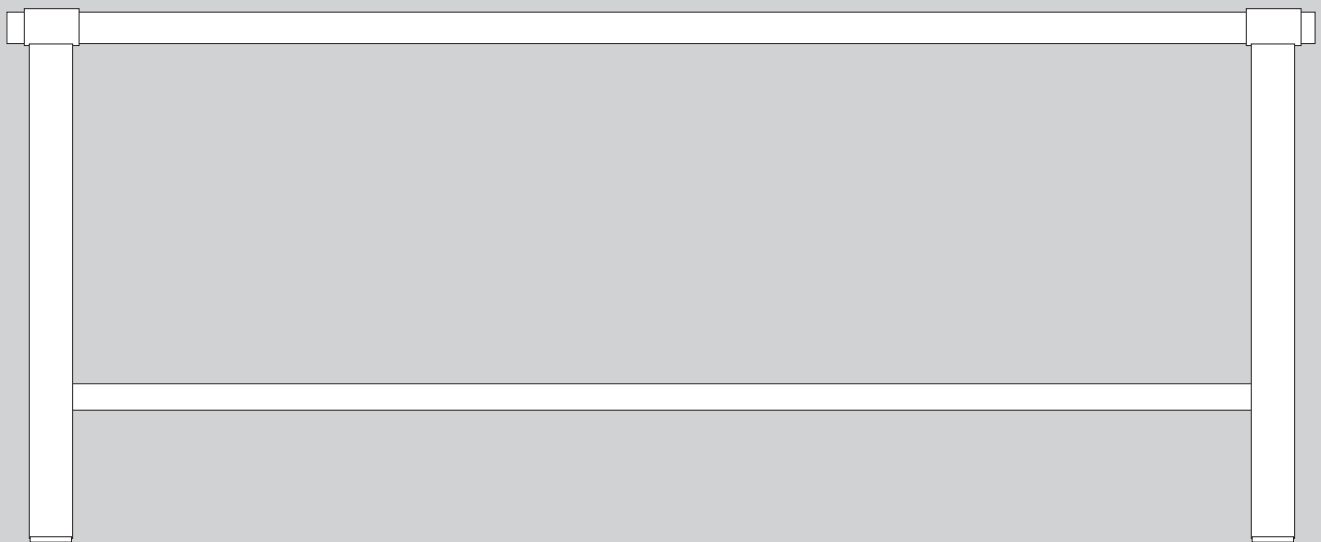
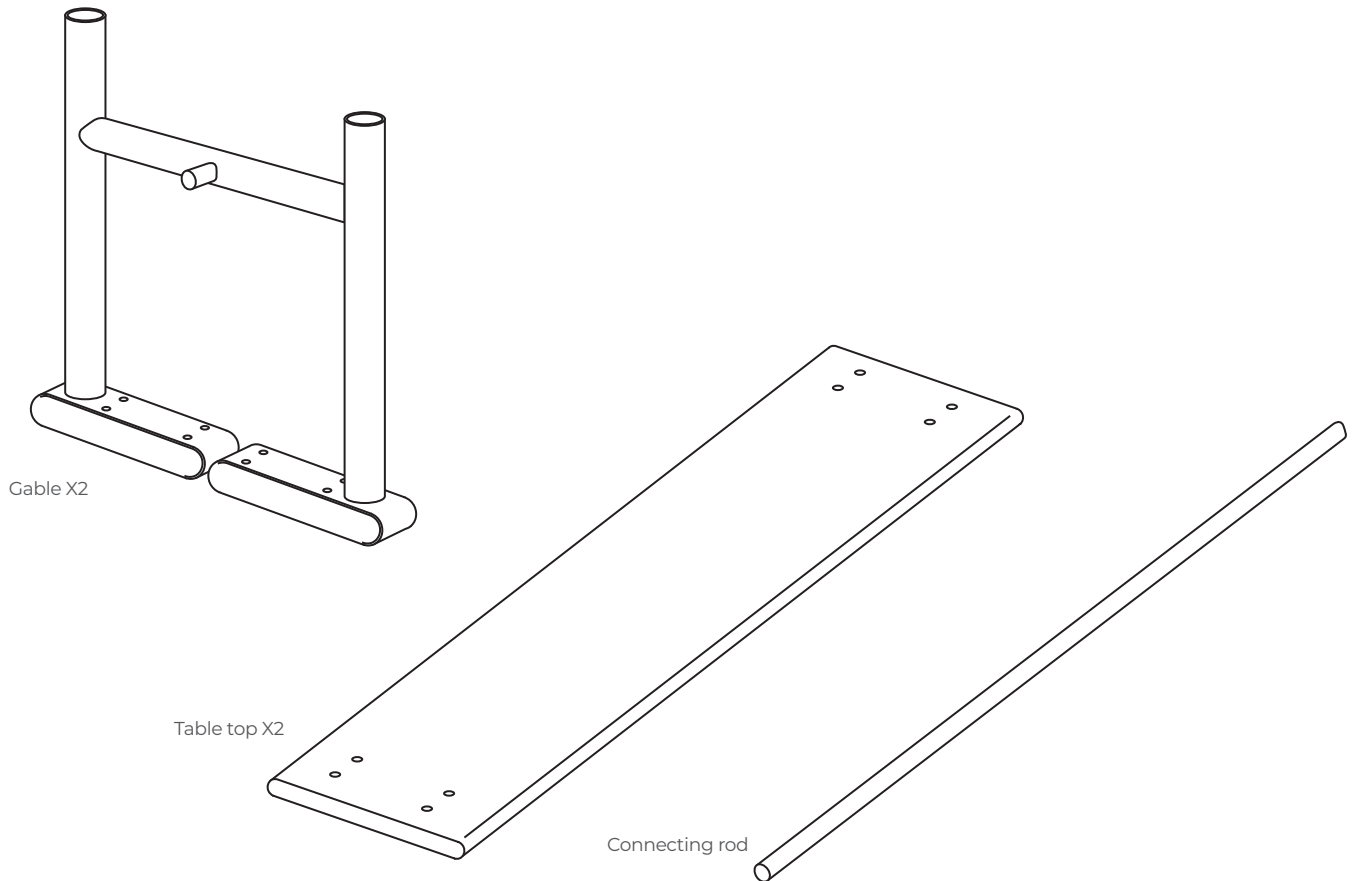


**PARKER**  
**TABLE / BENCH**  
**ASSEMBLY INSTRUCTION**

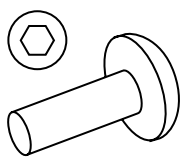


## PARTS

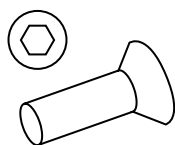
Parker table includes:



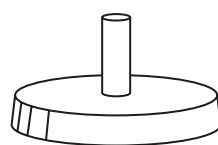
## OPTIONAL



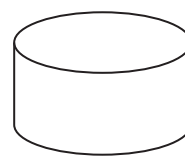
Allen bolt  
M8 20mm x4pcs



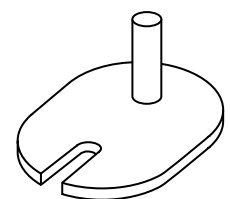
Allen bolt  
M6 22mm x8pcs



Adjustable feet  
x4pcs



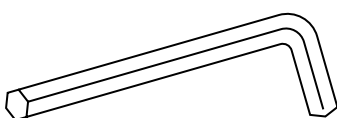
Foot Sleeve  
x4pcs



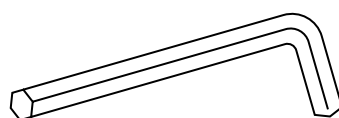
Floor fixture  
(NOT INCLUDED)

## TOOLS

To assemble Parker you need the following tools.



Nr 5 Hex key



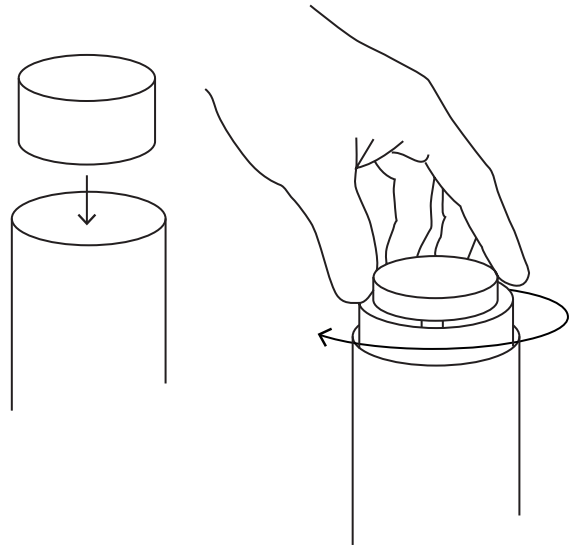
Nr 4 Hex key

# ASSEMBLE PARKER TABLE

The construction is easy to assemble with few parts.

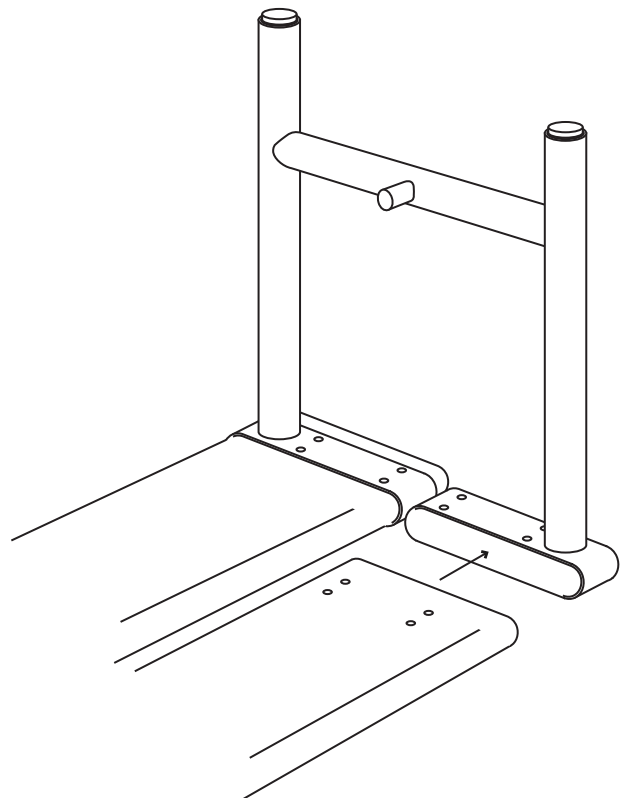
## 1. MOUNT THE FEET

Start by inserting the foot sleeve in the gable legs, then screw in the adjusting foot.




## 2. MOUNT THE TABLE TOP

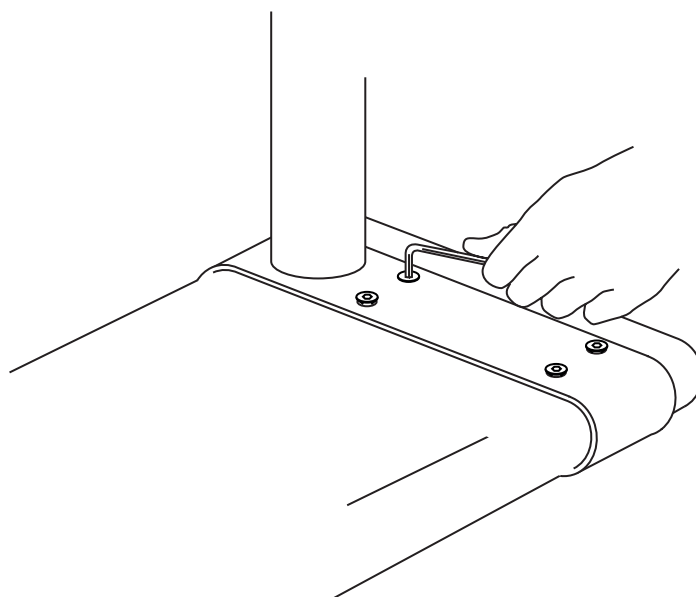
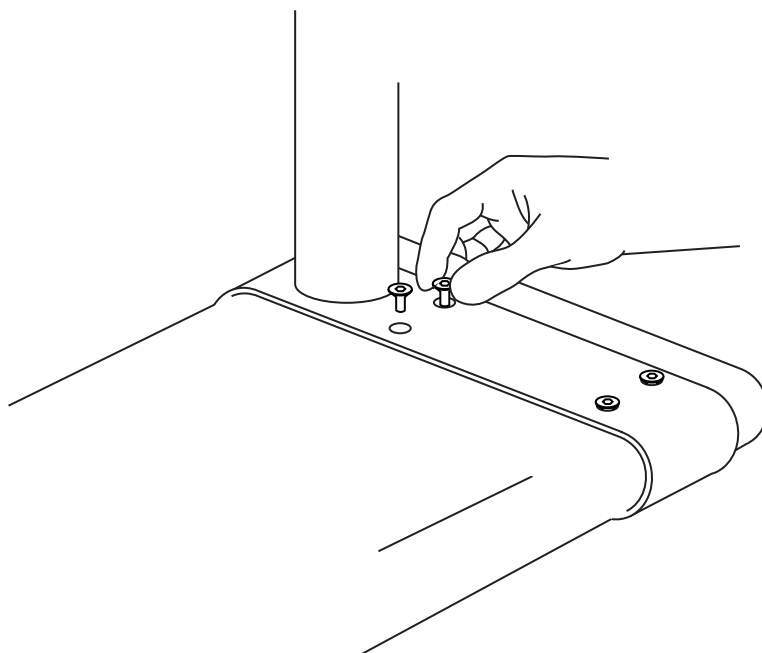
Put the gable on a flat surface with some protective material, so you don't scratch the paint. Slide both table tops into the gable.



### 3. FIX THE TABLE TOP


Use M6. Screw in all screws by hand before tightening them with the key.

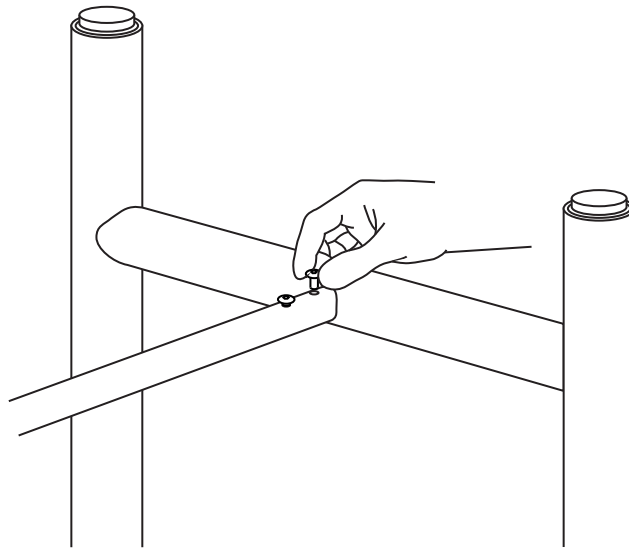
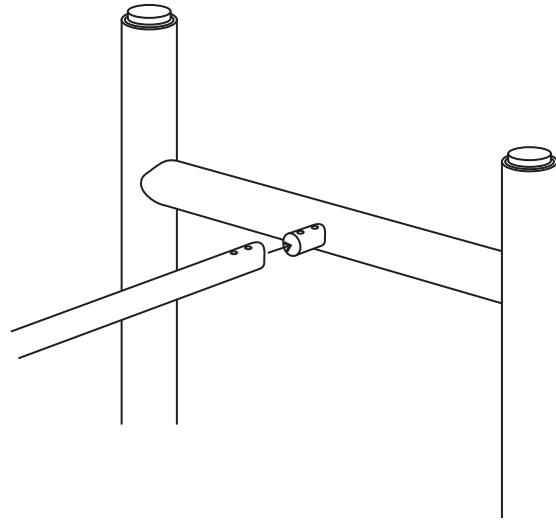
 Do not tighten them fully. You will tighten all screws when both gables are mounted.



## 4. ATTACH THE ROD

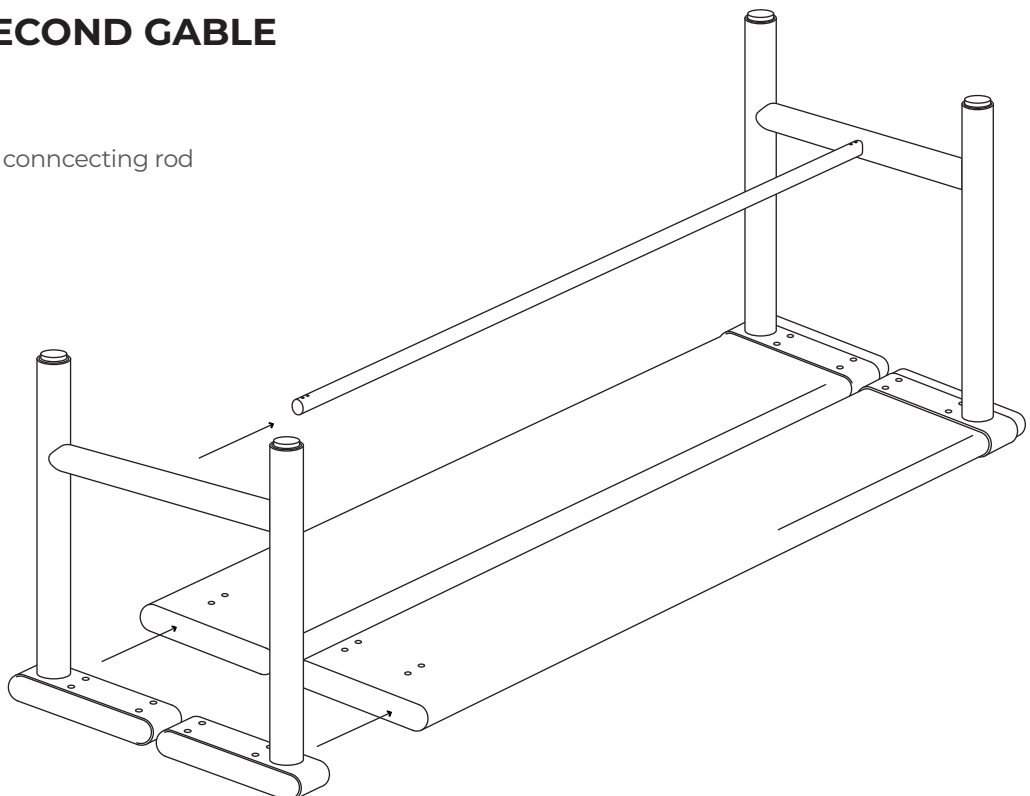
Use M8. Insert the connecting rod to the gabel.  
Screw in all screws by hand before using the  
the allen key.

 Do not tighten them fully. You will tighten  
all screws when both gables are mounted.



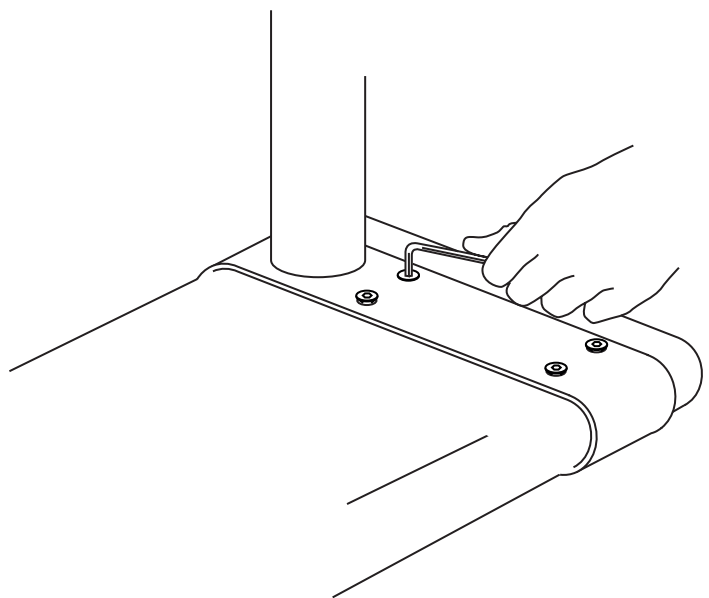
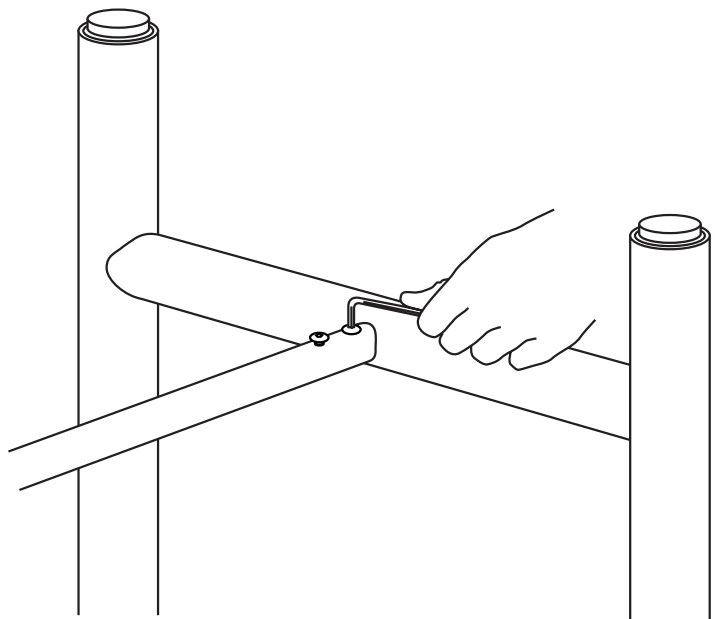
## 5. MOUNT THE SECOND GABLE

Insert the second gabel into connecting rod  
and the tabeltop.



## 6. TIGHTEN THE BOLTS

Screw in all screws for the second gable by hand.  
Then tighten all screws on both gables with the allen keys



## 7. FLIP THE TABLE

Make sure to be at least two people then turning the table.

Adjust feet if needed.

