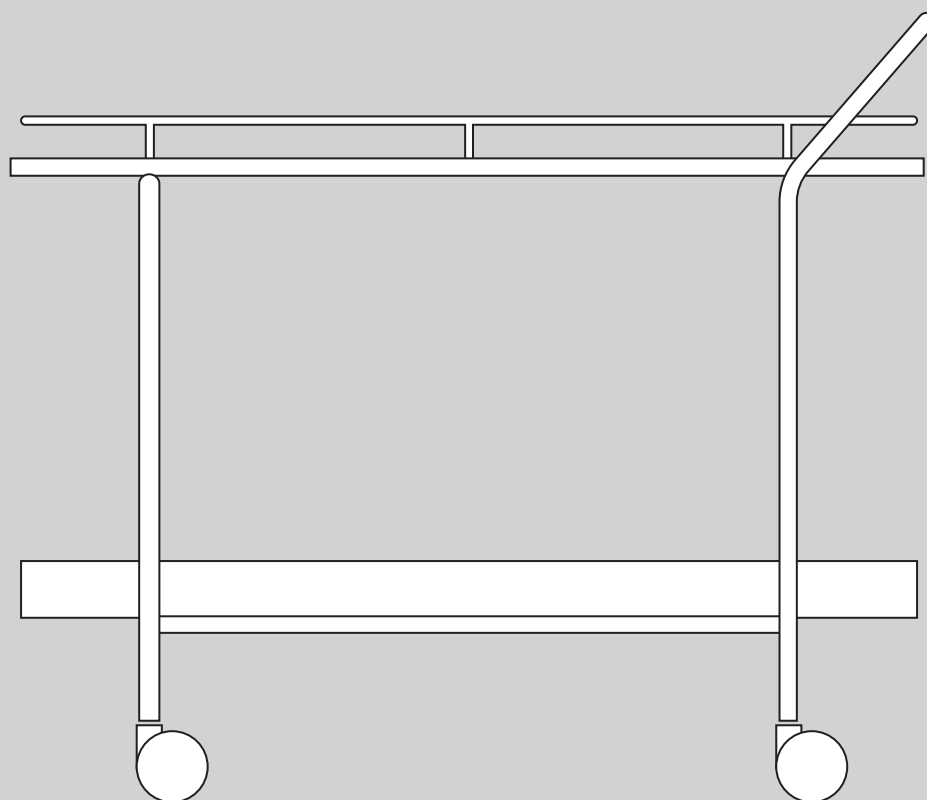


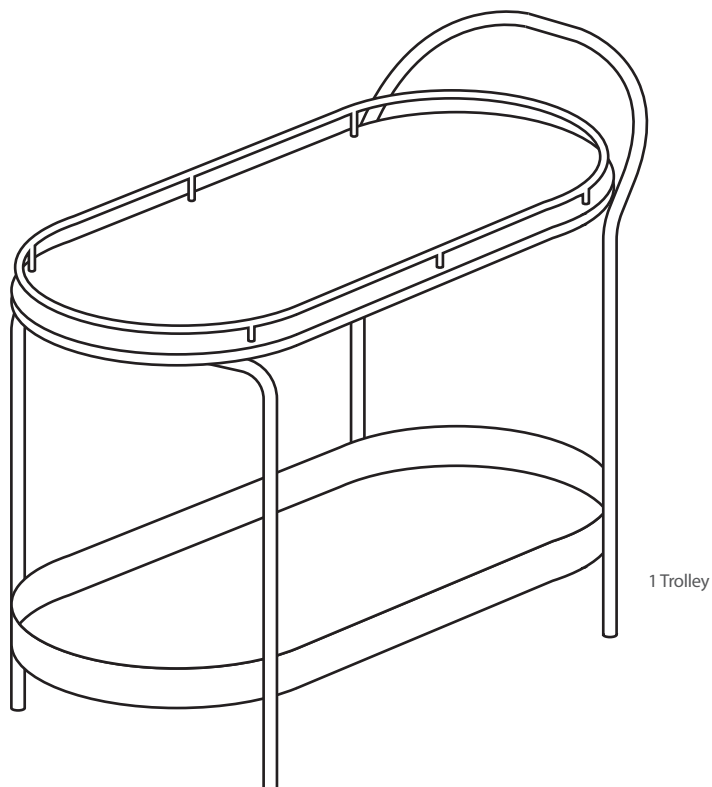
WAIT HERE

TROLLEY

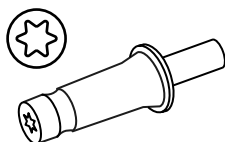
ASSEMBLY INSTRUCTION



PARTS



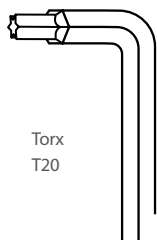
4 Wheels



Wheel bolt
x 4pcs

TOOLS

To assemble the wheels to the trolley you need a torx T20.



Torx
T20

ASSEMBLE WAIT HERE

The construction is easy to assemble with few parts.

1. MOUNT THE WHEELS

To fasten the wheels **carefully** lay the trolley on its side.

- A.** Screw in the wheel axis. Use wheel bolt.
- B.** Press the wheels until they snap into place.

