



**Felt Like It Too
Product Fact Sheet**

MIZETTO

Felt Like It too

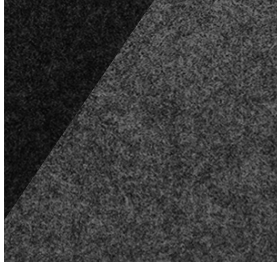
Felt Like It (Too) is the ultimate mobile office in a bag. A way to transport and move personal items such as work material and tech between the home and workplace, and between a storage unit and a workspace. Crafted from recycled PET, this spacious bag boasts plenty of compartments and functions, ideal for the modern commuter.

With a robust design, adjustable shoulder strap, and rigid zipper, this bag can handle heavy loads with ease, ensuring your essentials stay safe and secure wherever you go.

Design	ADDI
Environment	Indoor & Outdoor
Material	Staple fibre made of 100 % recycled polyester (recycled content 100 %: from post-consumer PET bottles), white and disperse masterbatch dyed. OEKO-TEX® STANDARD 100
Country of origin	Designed in Sweden, manufactured in China
Features	Multiple compartments, adjustable shoulder strap, rigid zipper, this bag can handle heavy loads with ease, ensuring your essentials stay safe and secure wherever you go.

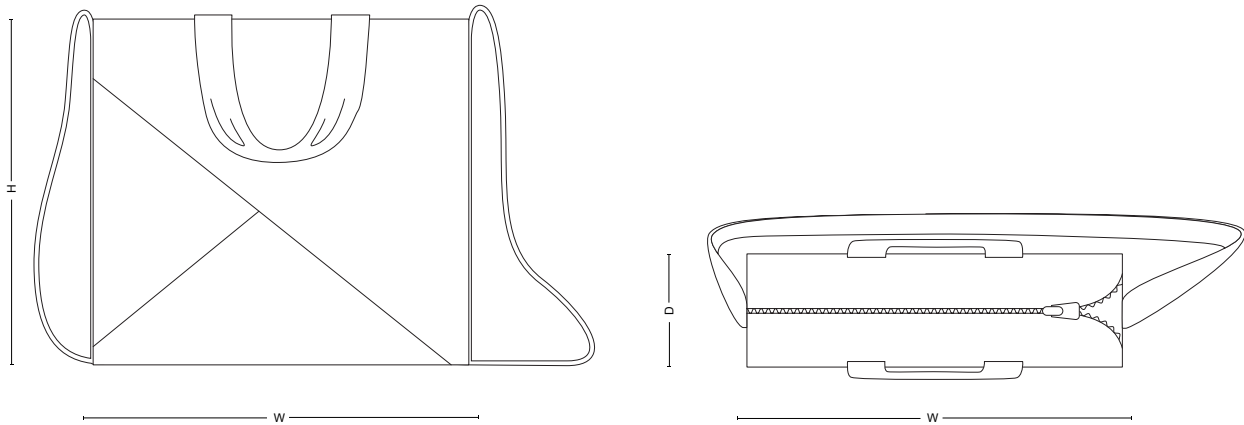
MIZETTO

Standard colours



Black & Grey Felt
100 % PET

Dimensions



H: 330 mm, 13" Weight: 0,9 kg, 2 lbs
W: 390 mm, 15,4"
D: 170 mm, 6,7"

Downloads

Visit mizetto.com for more information and digital library.

MIZETTO